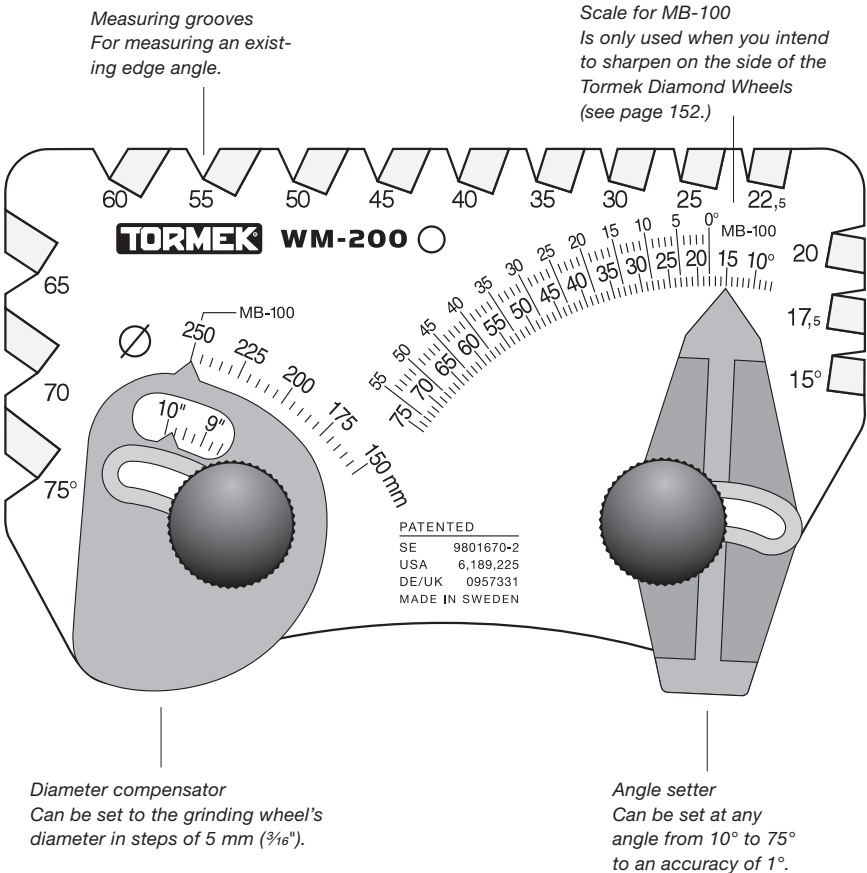


# AngleMaster WM-200

This patented AngleMaster has two functions: You can use it to set the jig to the grinding wheel so that it grinds your tool to any desired edge angle from 10° to 75° and you can use it to measure an existing edge angle on a tool. It is designed to work on any grindstone diameter from 250 mm (10") down to 150 mm (6"). You achieve an exact setting irrespective of the degree of stone wear. The AngleMaster has two magnets for convenient fixing onto the housing of the machine (Tormek T-8, T-7 and T-4 only).



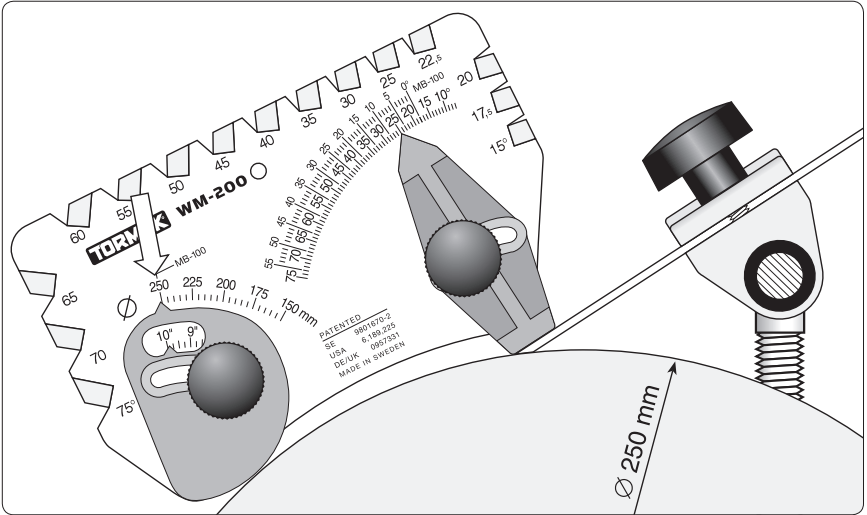
Measuring grooves  
For measuring an existing edge angle.

Scale for MB-100  
Is only used when you intend to sharpen on the side of the Tormek Diamond Wheels (see page 152.)

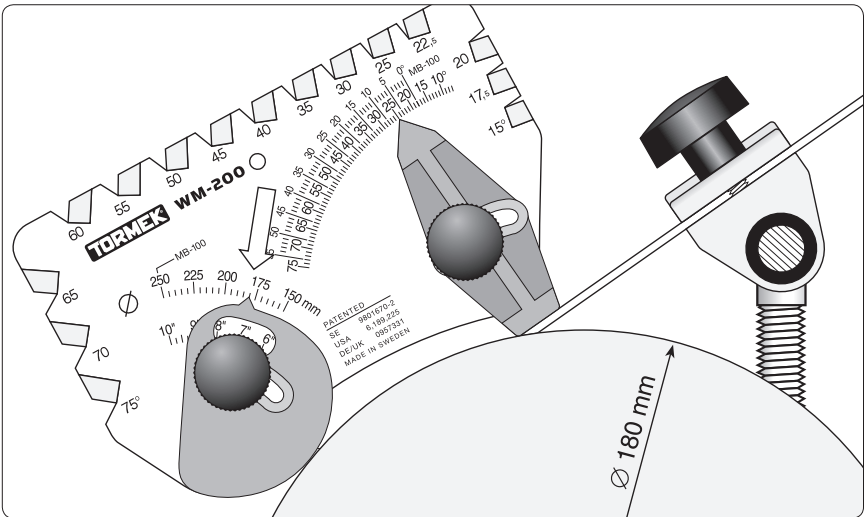
Diameter compensator  
Can be set to the grinding wheel's diameter in steps of 5 mm (3/16").

Angle setter  
Can be set at any angle from 10° to 75° to an accuracy of 1°.

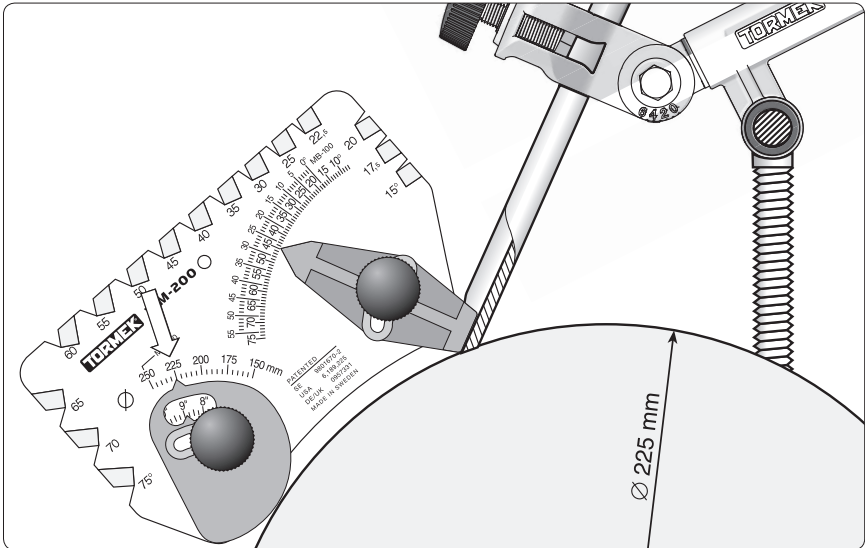
## Setting the edge angle



Setting a plane iron with a 25° edge angle on a 250 mm (10") grindstone.



The same edge angle on a stone worn down to 180 mm (7"). The wear of the stone is compensated by setting the diameter compensator to the stone diameter.

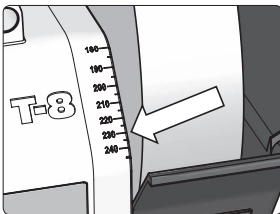


Setting of a bowl gouge at 45° edge angle in the SVD-186 jig. Grinding wheel diameter 225 mm (9").

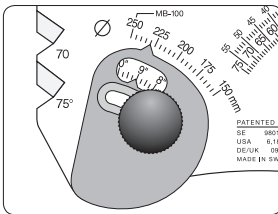
**Note** To learn how to set the angle when sharpening on the side of Tormek's Diamond Wheels, see p.152.

### Measuring the Grinding Wheel Diameter

When setting the diameter compensator to match the diameter of the grinding wheel, you do not need to measure the wheel. There is a scale on the machine label, which shows the diameter in metric mm, which you easily can transfer to the diameter compensator of the AngleMaster. This is on the model Tormek T-8 and T-7 series only.

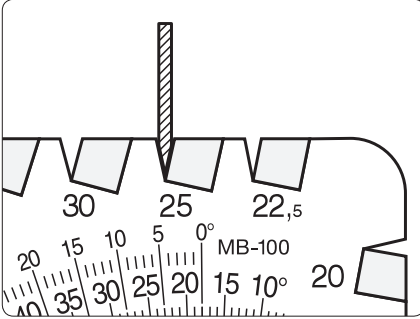


The scale shows that the grinding wheel's diameter is  $\varnothing$  230 mm.

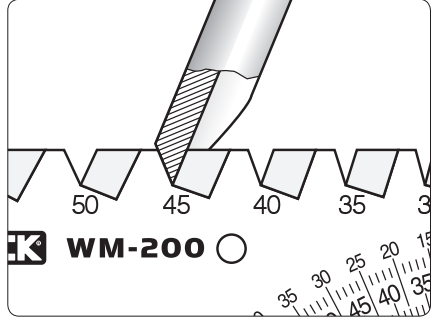


The diameter compensator is set on  $\varnothing$  230 mm.

Measuring the edge angle



Measuring the edge angle of a knife.



Measuring the edge angle of a bowl gouge.